

Application (Pole pruner) BC 300 D



Documents

Pole pruner

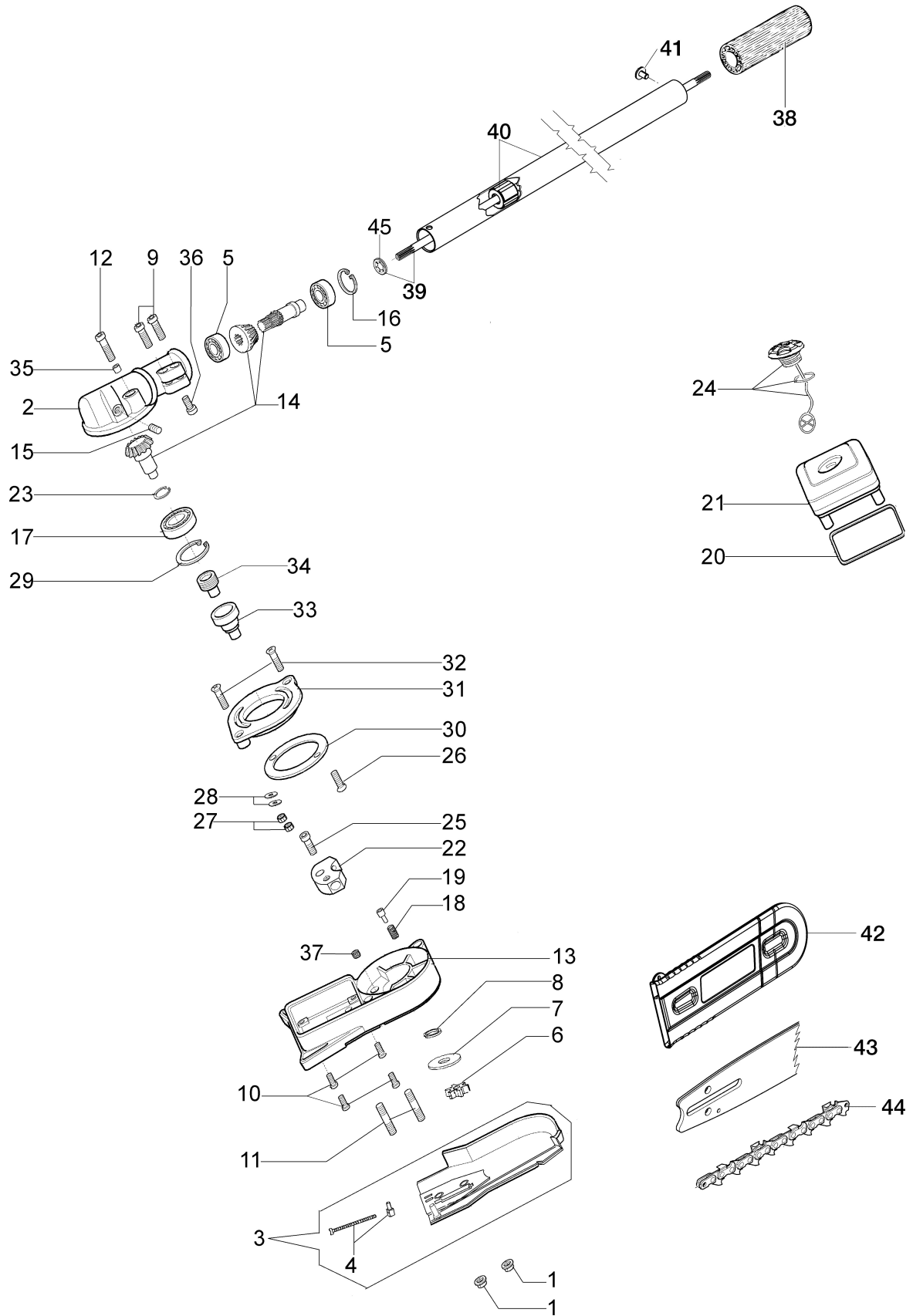


Illustration Pole pruner

Ref.Nu	Qty	Part number	Description	Validity from	Validity till	Notes	Bulletin
1	2	004400959R	Nut				
2	1	W0000201	Gear case				
3	1	W0000202	Chain cover assy				
4	1	W0000203	Chain tensioner kit				
5	2	3034008R	Bearing				
6	1	W000105	Sprocket				
7	1	W000106	Washer				
8	1	3024017	Ring				
9	2	3801011R	Screw				
10	4	W000113	Screw				
11	2	W000112	Stud				
12	1	3801030R	Screw				
13	1	W0000204	Case				
14	1	W0000205	Bevel gear set				
15	1	3801008R	Screw				
16	1	3025018R	Ring				
17	1	W0000206	Bearing				
18	1	W0000207	Spring				
19	1	W0000208	Pin				
20	1	W000115	O-ring				
21	1	W000117	Bowl cap				
22	1	W0000209	Oil pump				
23	1	W0000210	Ring				
24	1	W0000211	Complete cap				
25	2	3801004	Screw				
26	1	W0000212	Screw				
27	2	3914003R	Nut				
28	2	3833073R	Washer				
29	1	3025022R	Ring				
30	1	W0000214	Ring				
31	1	W0000215	Ring nut				
32	1	W0000216	Screw				
33	1	W0000217	Shaft				
34	1	W0000213	Bushing				
35	1	W0000200	Bushing				
36	1	3801043	Screw				
37	1	W000118	Oil filter				
38	1	61280241R	Knob				
39	1	61370496	Complete drive shaft Ø7				
40	1	61282059R	Tube Ø26				
41	1	3032027R	Rivet				
42	1	1144033	Bar cover				
43	1	63090054R	Bar 12" - 30 cm			Optional	
43	1	63090030R	Bar 10" - 25 cm				
44	1	001001599R	Chain .3/8" x .043" (1,1mm)			Optional	

Illustration Pole pruner

Ref.Nu	Qty	Part number	Description	Validity from	Validity till	Notes	Bulletin
44	1	30629019A	Chain .3/8" x .043" (1,1mm)				
45	2	3045034R	Retainer washer				EI3-12/14